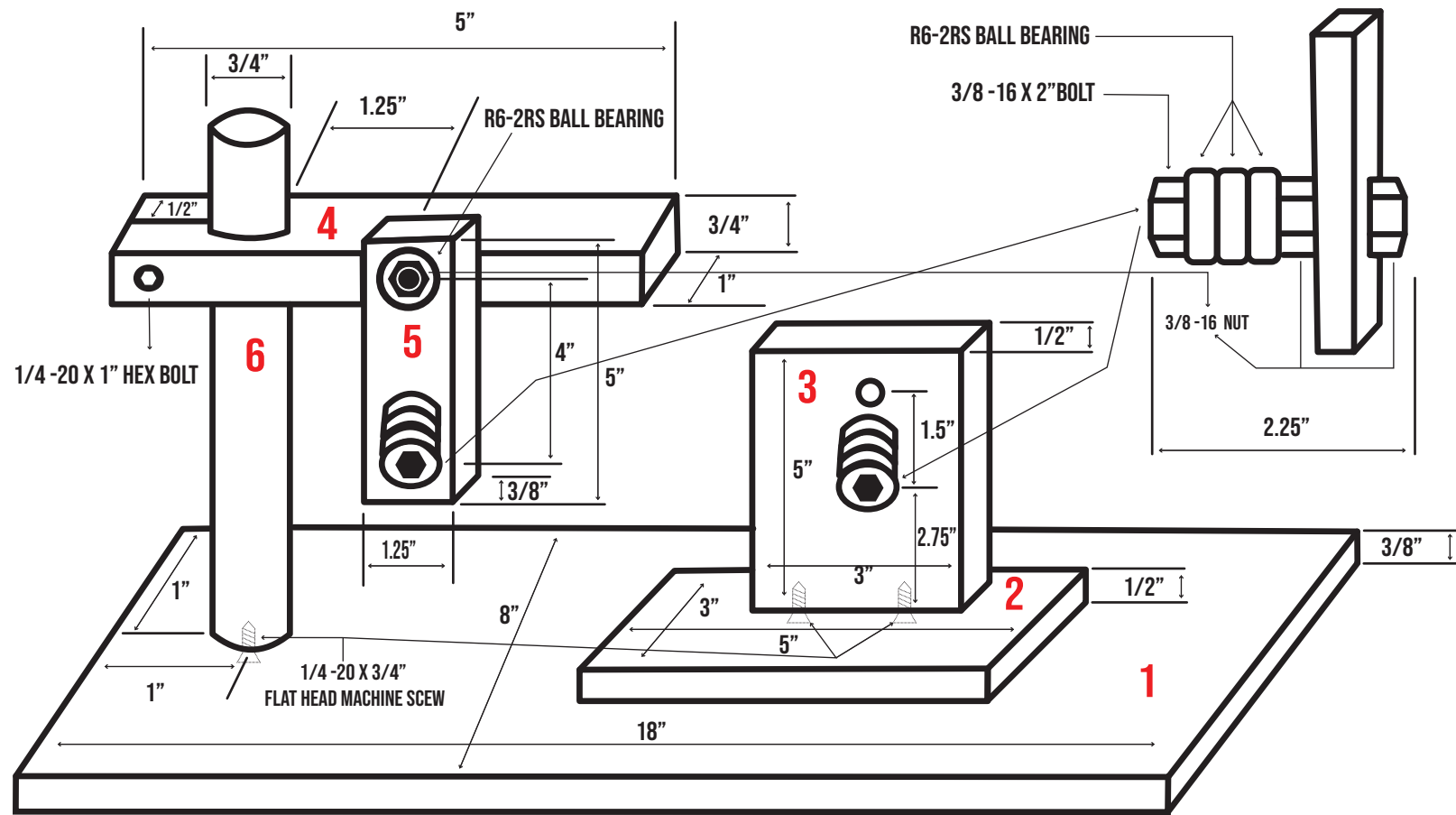


# CONNECTING ROD BALANCING JIG



## COMPONENTS LIST

1. 8"X18"X3/8" BASE PLATE
- 2&3. 3"X5"1/2" SCALE FIXTURE (2 PIECES)
4. 1"X3/4"X5" SUPPORT ARM
5. 1"X5"X3/8" PENDULATING ARM
6. 10"X3/4 ROUND ROD
7. R6-2RS BALL BEARING X7
8. 3/8-16 2" BOLT X 3
9. 3/8 -16 NUT X6
10. 1/4 -20 FLAT HEAD MACHINE SCREW X 3
11. 1/4 -20 HEX BOLT